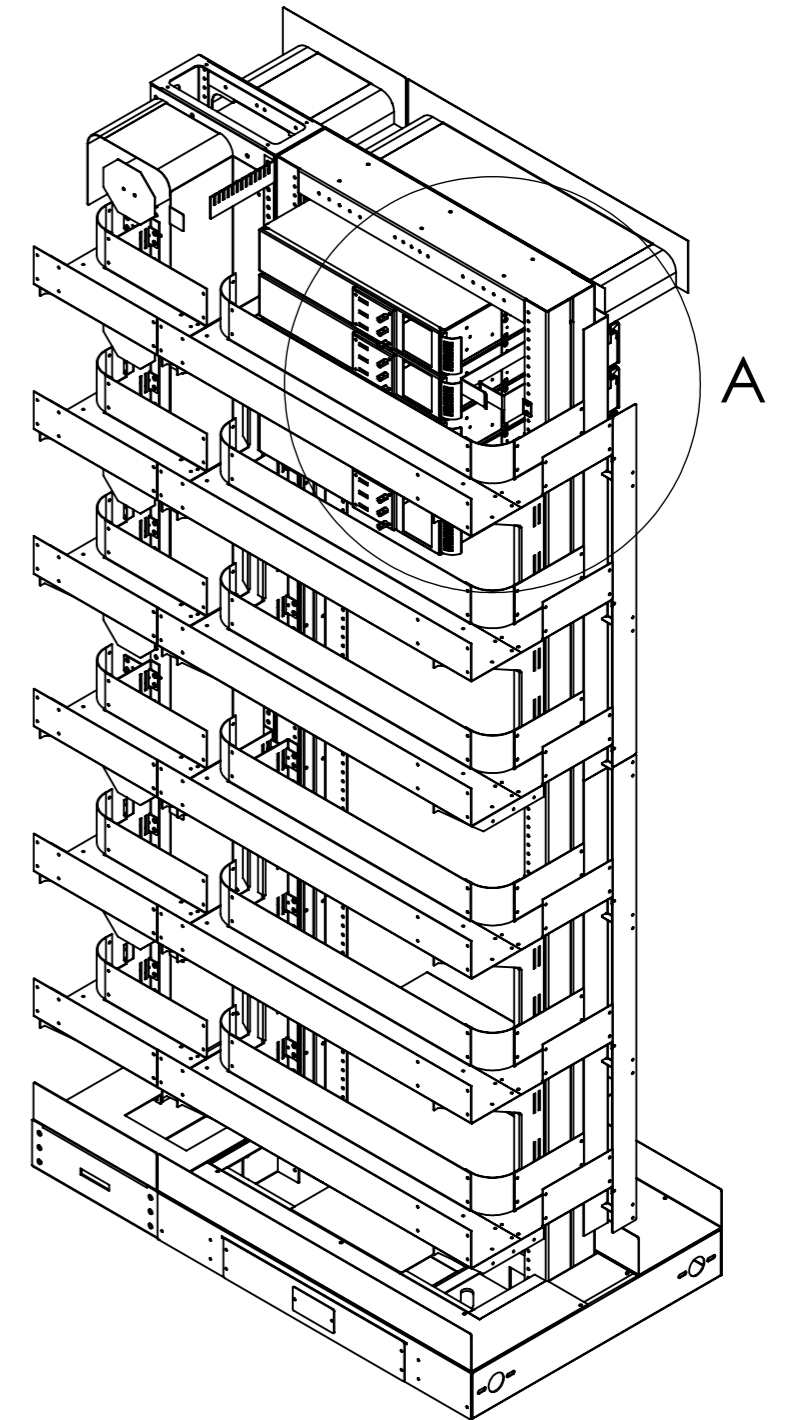
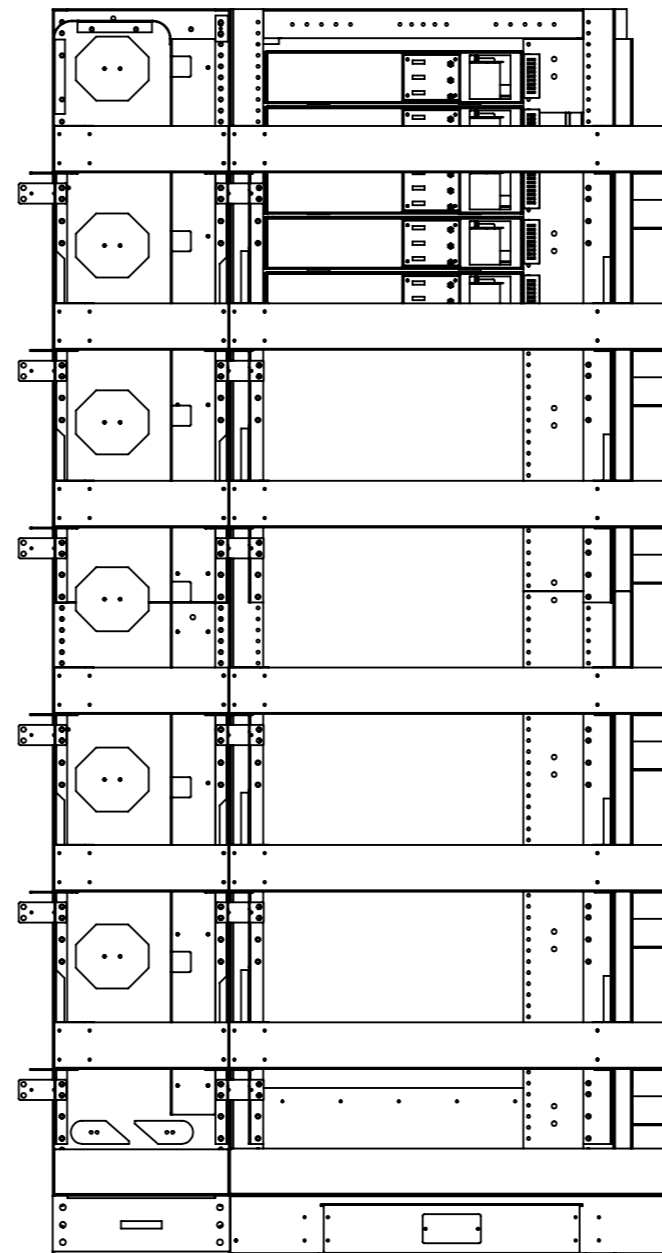


DETAIL A  
SCALE 2 : 13



THIS DOCUMENT REMAINS PROPERTY OF TKHANAM, CO ELECTRONIC OR MECHANIC (INCLUDING PHOTOCOPYING), FOR ANY PURPOSE WITHOUT THE WRITTEN CONSENT OF TK HANAM, CO

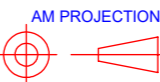
**TKHANAM**<sup>®</sup>  
Kết nối mọi thành công

DRAWN BY: *Le Chi Truong*  
DRAWN:  
Printed: 9/22/2020  
DESCRIPTION:

UNSPECIFIED TOLERANCES ACC TO: ISO 2768 -

From	0.5	3	6	30	120	400	1000	2000
Up to	3	6	30	120	400	1000	2000	4000
Tol.								
From	0	10	50	120	400			
Up to	10	50	120	400	--			
Tol.								

UNITS:  
MM



MATERIAL:  
FINISH 1:  
FINISH 2:  
FINISH 3:  
FINISH 4:  
FINISH 5:  
COLOR:  
DRAWING NR.:

V-SIZE:

GLOSS:

REV.:

Assem FOTSP

SURFACE: M²

WEIGHT: KG

SCALE:

PAGE 1 OF 1

PAPER SIZE: A3